

RGB TOUCH CONTROLLER

Product&Family Code: 100 004 0288

TOUCH-RGB



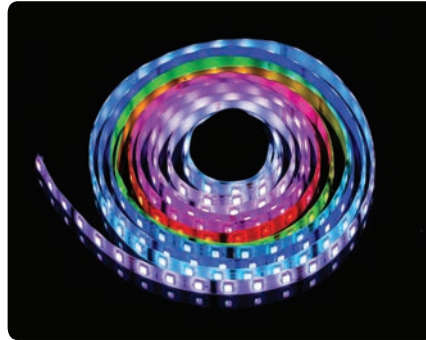
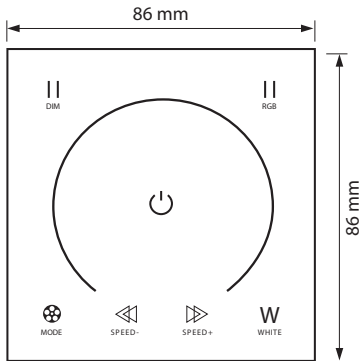
Technical Data

Input Voltage (V)	DC 12V-24V
Output Voltage (V)	DC 12V-24V
Output Power (W)	144-288W
Output Current	4A / Each Color
For 50x50 SMD LED Strips	10 Meters
For 35x28 SMD LED Strips	30 Meters
Protection Class	III
IP Rating	20

Application

- RGB driver for 12VDC or 24VDC LED Strips.

Technical Drawing



Features

- 20s OFF delayed.
- 12 Functions.
- Brightness %1 - %100
- 2 Brightness can be saved.
- 100% load test
- Output voltage accurate and stable

