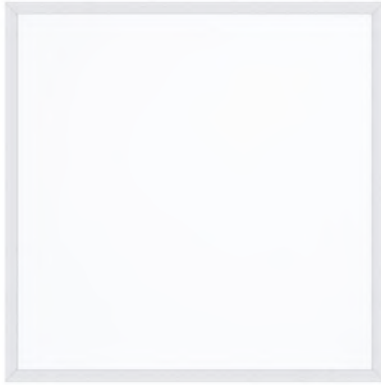


LED PANEL



WHITE

BACKLIGHT PANEL



Inside of Product



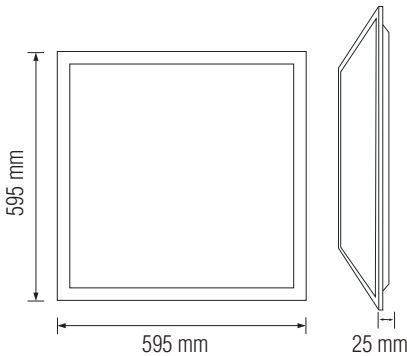
Product&Family Code: 056 009 0080

EUROPA-80

Technical Data

Voltage (V)	175-265
Product Wattage (W)	80
Equivalence with incandescent lamp	640
Colour Render Index (Ra)	>Ra80
Colour Temperature (K)	4200K/6400K
Materials	Aluminium + PP
Protection Class	I
Dimmable	No
EEI	A to A++
Warm-up time up to 60 % of the full light output	Instant Full Light
Luminous Flux (lm)	6400
Luminous Efficacy (lm/W)	80
Rated Life (hrs) ⌚	20.000
IP Rating	20
Power Factor	>0.5
Beam Angle	120°
Starting Time	<0.2s
Number of ON-OFF cycling	10.000

Technical Drawing



Applications

- Indoor applications; Business Center, Airport, Car Park, Cinema, Gallery, Hospital, Hotel, Museum etc.



Features

- High Lumen and CRI, Good quality & Constant Current driver.
- High heat dissipation, low carbon and environmental protection.
- SMD LED Lamp Base.

