

LIGHT CONTROL PHOTOSENSOR

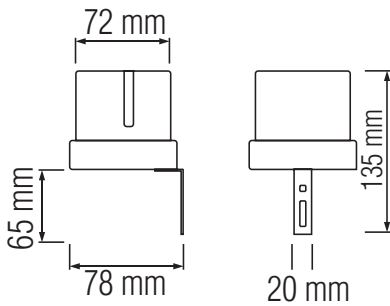
Product&Family Code: 089 001 0003

LUXOR**WHITE**

Technical Data

Voltage	AC 220-240V / 50-60Hz
Ambient Light	< 5-50Lux (Adjustable)
Load Power	2700W (25A)
Protection Class	II
IP Rating	44
Material	PC

Technical Drawing



Applications

- Widely used: street light, highway, factories, garden, ports, airports, farm, parks, schools, and other places.

Features

- Easy to install and Convenient to use
- To turn on or off the light in day and night without manual operation

