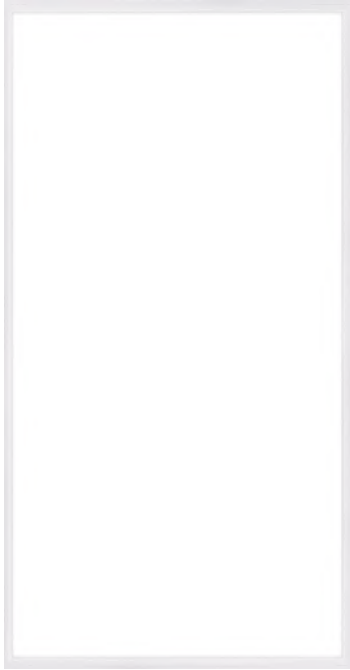


LED PANEL 3060

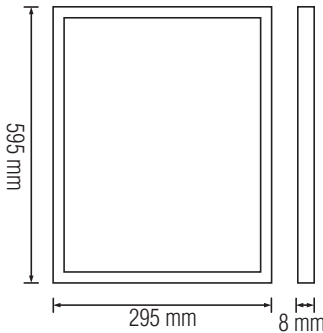
Product&Family Code: 056 006 0024

ZODIAC-24

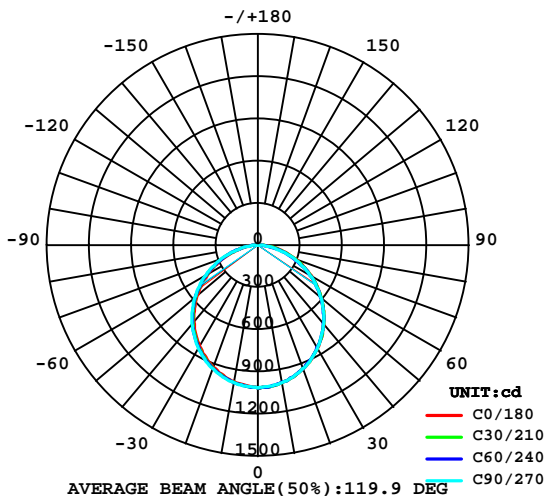


Technical Data	
Voltage (V)	180-265V
Product Wattage (W)	24
Equivalence with incandescent lamp	192
Colour Render Index (Ra)	>Ra70
Colour Temperature (K)	4200K / 6400K
Materials	Aluminium / PMMA
Protection Class	II
Dimmable	No
EEI	A to A++
Warm-up time up to 60 % of the full light output	Instant Full Light
Luminous Flux (lm)	1680
Luminous Efficacy (lm/W)	70
Rated Life (hrs) ⌚	25.000
IP Rating	20
Power Factor	>0.5
Beam Angle	120°
Starting Time	<0.2s
Number of ON-OFF cycling	x15.000

Technical Drawing



Photometric Diagram



Applications

- Indoor applications; Business Center, Airport, Car Park, Cinema, Gallery, Hospital, Hotel, Museum etc.



Features

- High Lumen and CRI, Good quality & Constant Current driver.
- High heat dissipation, low carbon and environmental protection.
- SMD LED Lamp Base.
- Aluminum Die Casting Body

