

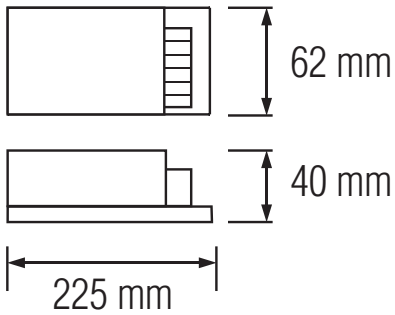
LED DRIVER

Product&Family Code:

082 001 0250

VEGA-250


Technical Drawing



Technical Data

Voltage	176-264V / 50-60Hz
Output Power	250W
Output Voltage	DC 12V
Output Current	20.8A
Materials	Aluminium
Protection Class	I
IP Rating	20
Power Factor	>0.5
For 35x28 SMD LED Strip	Max. 50m
For 50x50 SMD LED Strip	Max. 17m

Applications

- Indoor Lighting.



Features

- 100% load test
- Full range of input voltage
- Output voltage accurate and stable
- Output over - voltage, over - current and short - circuit protection
- Output low ripple and noise

